

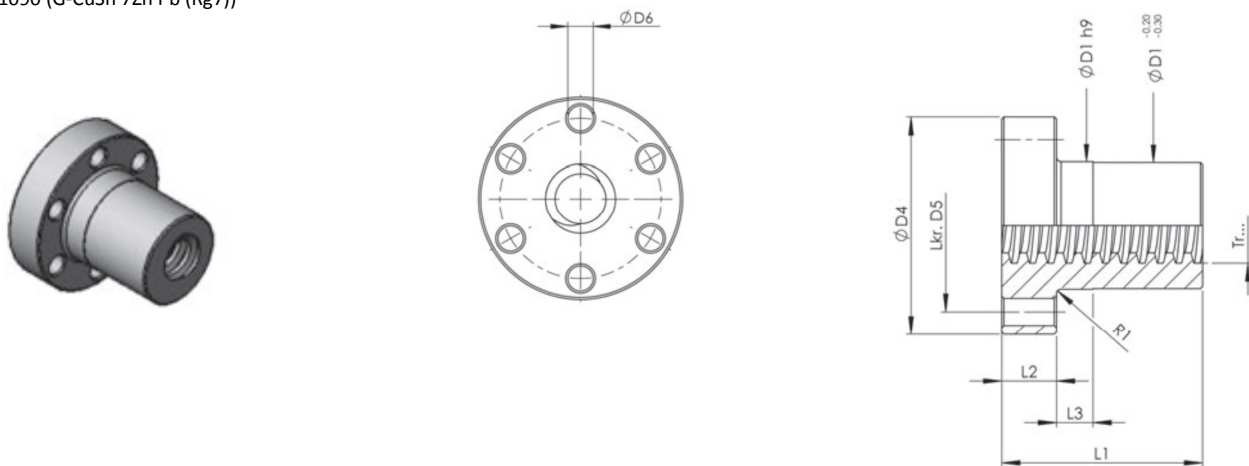


## Data sheet complete bronze nut, EFM

For motion drives in continuous operation, with particularly good wear characteristics. Suitable for use as a safety nut.

EFM nuts can be installed with the KON and KAR adapters.

Material: 2.1090 (G-CuSn 7Zn Pb (Rg7))



Type	Dimensions [mm]							Weight [kg]	Bearing surface [mm <sup>2</sup> ]
	D <sub>1</sub>	D <sub>4</sub>	D <sub>5</sub>	6xD <sub>6</sub>	L <sub>1</sub>	L <sub>2</sub>	L <sub>3</sub>		
EFM Tr 12x3	24	40	32	4,5	28	12	10	0,11	520
EFM Tr 16x4	28	48	38	6	44	12	8	0,25	670
EFM Tr 18x4	28	48	38	6	44	12	8	0,25	770
EFM Tr 20x4	32	55	45	7	44	12	8	0,30	870
EFM Tr 22x5	32	55	45	7	44	12	8	0,30	1030
EFM Tr 24x5	32	55	45	7	44	12	8	0,30	1040
EFM Tr 30x6	38	62	50	7	46	14	8	0,40	1370
EFM Tr 32x6	45	70	58	7	54	16	10	0,53	1710
EFM Tr 36x6	45	70	58	7	59	16	10	0,60	2140
EFM Tr 40x7	63	95	78	9	73	16	10	1,70	2930
EFM Tr 50x8	72	110	90	11	97	18	10	2,60	4900
EFM Tr 55x9	72	110	90	11	97	18	10	2,40	5300
EFM Tr 60x9	85	125	105	11	99	20	10	3,70	6040
EFM Tr 70x10	95	180	140	17	100	30	16	7,80	8250
EFM Tr 80x10	105	250	190	17	110	30	16	8,90	10890

NEFF Gewindesysteme GmbH  
 Phone: +49 6271 / 9 47 66-09  
 Fax: +49 6271 / 9 47 66-19  
 info@neffmail.de