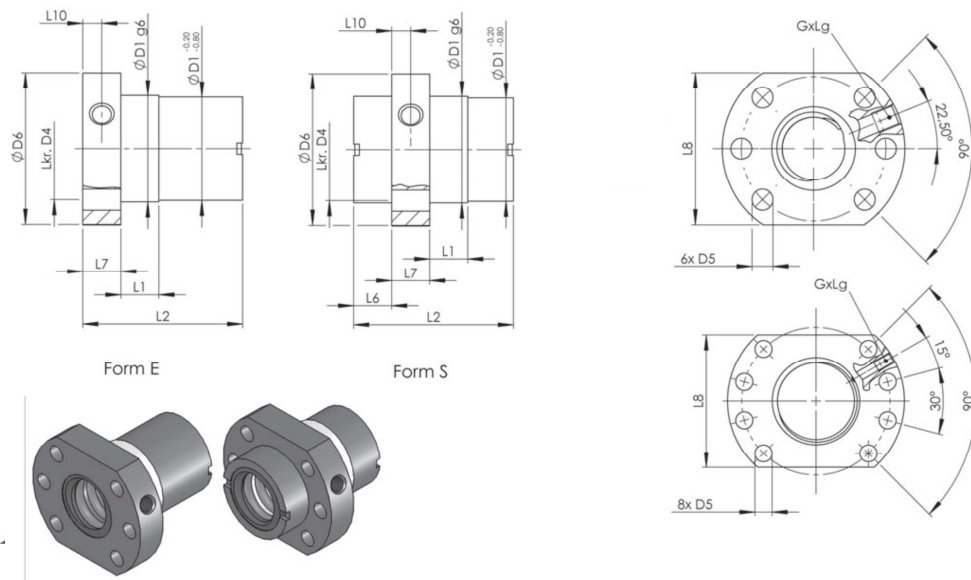


Data sheet flanged ball nut KGF-D



Material: 1.7131 (ESP65) or 1.3505 (100 Cr6)

Type Diameter [mm] Lead [mm] Right hand thread	Form	Hole pattern	Dimensions [mm]											Axial back- lash max [mm]	No. of circuits	Load rating [kN]			
			D1	D4	D5	D6	L1	L2	L6	L7	L8	Lg	L10			Lubri- cation hole	C ²⁾	C ³⁾	C _o = C _{oa}
			KGF-D 1605 RH-EE	E	1	28	38	5,5	48	10	42	-	10			40	10	5	M6
KGF-D-1610 RH-EE	E	1	28	38	5,5	48	10	55	-	10	40	10	5	M6	0,08	6	23,0	15,4	26,5
KGF-D-2005 RH-EE	E	1	36	47	6,6	58	10	42	-	10	44	10	5	M6	0,08	3	14,0	10,5	16,6
KGF-D-2505 RH-EE	E	1	40	51	6,6	62	10	42	-	10	48	10	5	M6	0,08	3	15,0	12,3	22,5
KGF-D 2510 RH-EE	E	1	40	51	6,6	62	16	55	-	10	48	10	5	M6	0,08	3	17,5	13,2	22,5
KGF-D-2520 RH-EE	S	1	40	51	6,6	62	4	35	10,5	10	48	8	5	M6	0,15	4	19,0	13,0	23,3
KGF-D-2525 RH-EE	S	1	40	51	6,6	62	9	35	8	10	48	8	5	M6	0,08	5	21,0	16,7	32,2
KGF-D-2550 RH-EE	S	1	40	51	6,6	62	10	58	10	10	48	8	5	M6	0,15	5	22,5	15,4	31,7
KGF-D 3205 RH-EE	E	1	50	65	9	80	10	55	-	12	62	10	6	M6	0,08	5	24,0	21,5	49,3
KGF-D-3210 RH-EE	E	1	53 ¹⁾	65	9	80	16	69	-	12	62	10	6	M8x1	0,08	3	44,0	33,4	54,5
KGF-D-3220 RH-EE	E	1	53 ¹⁾	65	9	80	16	80	-	12	62	10	6	M6	0,08	4	42,5	29,7	59,8
KGF-D-4005 RH-EE	E	2	63	78	9	93	10	57	-	14	70	10	7	M6	0,08	5	26,0	23,8	63,1

NEFF Gewindesysteme GmbH
 Phone: +49 6271 / 9 47 66-09
 Fax: +49 6271 / 9 47 66-19
 info@neffmail.de



αμινοαλυσια

Type Diameter [mm] Lead [mm] Right hand thread	Form	Hole pattern	Dimensions [mm]											Axial back- lash max [mm]	No. of circuits	Load rating [kN]			
			D1	D4	D5	D6	L1	L2	L6	L7	L8	Lg	L10			Schmi er- bohru ng G	C ²⁾	C ³⁾	C ₀ = C _{0a}
KGF-D 4010 RH-EE	E	2	63	78	9	93	16	71	-	14	70	10	7	M8x1	0,08	3	50,0	38,0	69,1
KGF-D-4020 RH-EE	E	2	63	78	9	93	16	80	-	14	70	10	7	M8x1	0,08	4	44,5	33,3	76,1
KGF-D-4040 RH-EE	S	2	63	78	9	93	16	85	7,5	14	- ⁴⁾	10	7	M8x1	0,08	8	42,0	35,0	101,9
KGF-D-5010 RH-EE	E	2	75	93	11	110	16	95	-	16	85	10	8	M8x1	0,08	5	78,0	68,7	155,8
KGF-D-5020 RH-EE	E	2	85 ¹⁾	10 3 ¹⁾	11	125	22	95	-	18	95	10	9	M8x1	0,08	4	82,0	60,0	136,3
KGF-D-6310 RH-EE	E	2	90	10 8	11	125	16	97	-	18	95	10	9	M8x1	0,08	5	86,0	76,0	197,0
KGF-D-8010 RH-EE	E	2	105	12 5	14	145	16	101	-	20	11 0	10	10	M8x1	0,08	5	80,0	69,0	260,0
Left hand thread																			
KGF-D-2005 LH- EE	E	1	36	47	6,6	58	10	42	-	10	44	10	5	M6	0,08	3	14,0	10,5	16,6
KGF-D-2505 LH- EE	E	1	40	51	6,6	62	10	42	-	10	48	10	5	M6	0,08	3	15,0	12,3	22,5
KGF-D 3205 LH- EE	E	1	50	65	9	80	10	55	-	12	62	10	6	M6	0,08	5	24,0	21,5	49,3
KGF-D-4005 LH- EE	E	2	63	78	9	93	10	57	-	14	70	10	7	M6	0,08	5	26,0	23,8	63,1

¹⁾ D1 not conforming to DIN 69051

²⁾ Dynamic load rating according to DIN 69051 part 4 draft 1978

³⁾ Dynamic load rating according to DIN 69051 part 4 draft 1989

⁴⁾ Round flange

⁵⁾ Also available with \varnothing 50 mm according to DIN.

NEFF Gewindesysteme GmbH
 Phone: +49 6271 / 9 47 66-09
 Fax: +49 6271 / 9 47 66-19
 info@neffmail.de